

MathWorks AUTOMOTIVE CONFERENCE 2022 North America

Multi-Stack Fuel Cell Electric Vehicle Modeling and Applications

Jason Rodgers, MathWorks



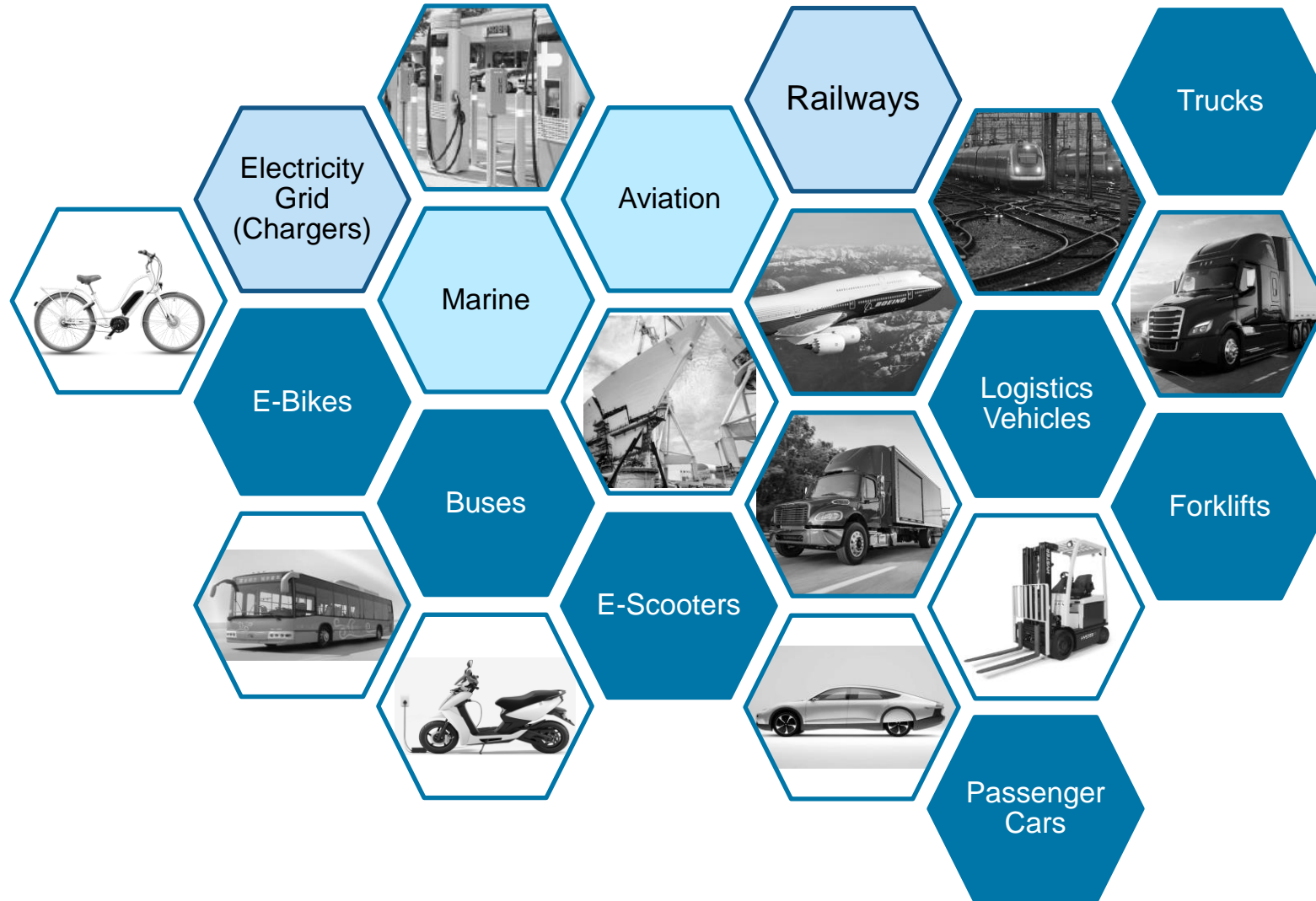
Graham Dudgeon, MathWorks



Key Takeaways

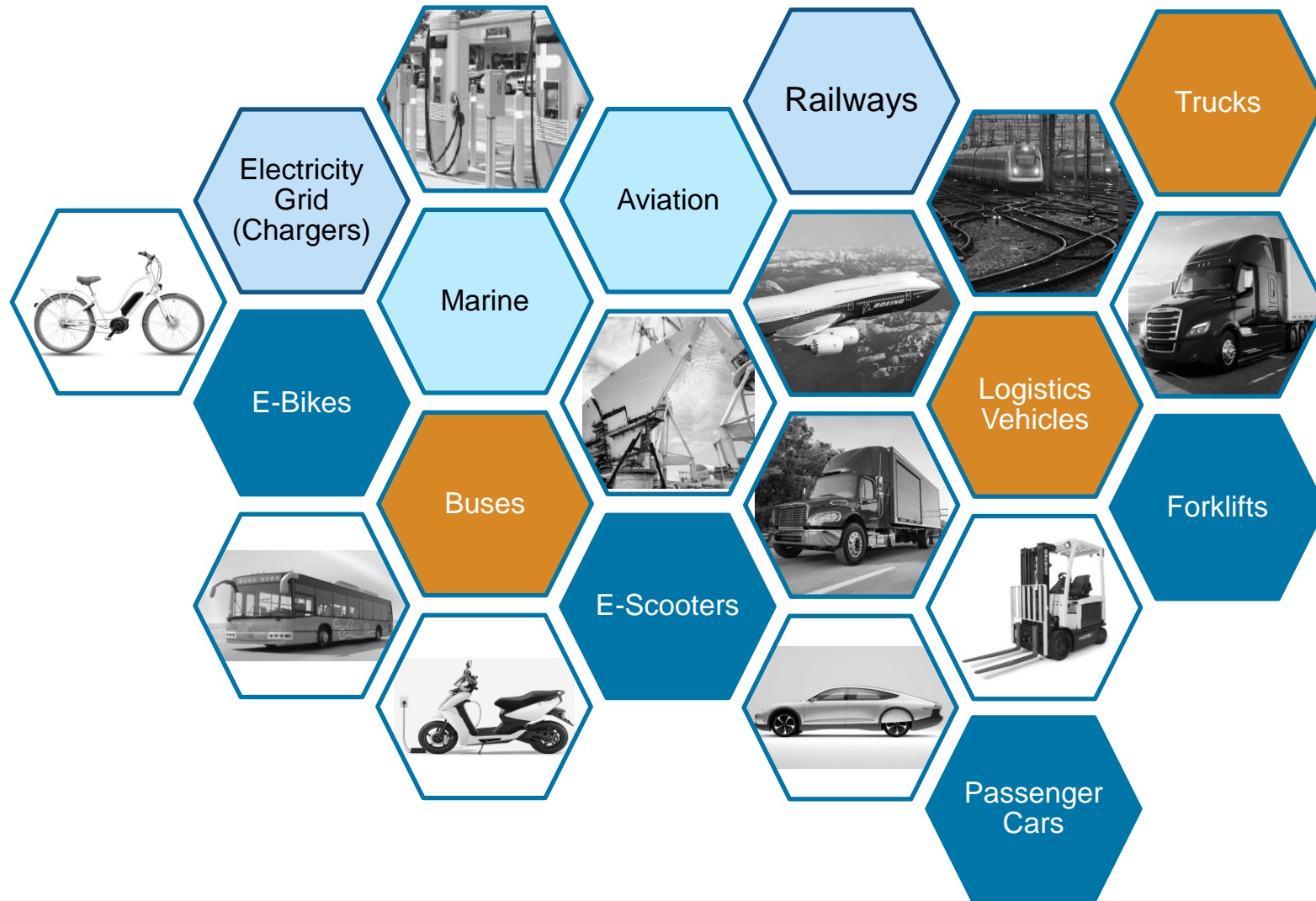
- Multi-Stack fuel cell **virtual vehicle** models enabled by MathWorks tools
 - Realistic environment and testing scenarios
 - Analysis, control design and optimization of components and full vehicle simulation
- Methodology and workflows for modeling **subsystem** level fuel cell systems
 - Build out fidelity and complexity incrementally
 - Focus on specific design tasks and minimize the time taken to perform design iterations.
 - Utilize first-principles and data-driven/statistical approaches for appropriate tasks

What is Electrification?



Electrification is the increasing use of electrical technology and energy management to achieve enhanced efficiency, performance and reliability in transportation, industrial systems, consumer and professional equipment, and power generation and transmission.

What is Electrification?



How to tackle high power requirement of heavy-duty vehicles?

Problem Statement

What is the problem?

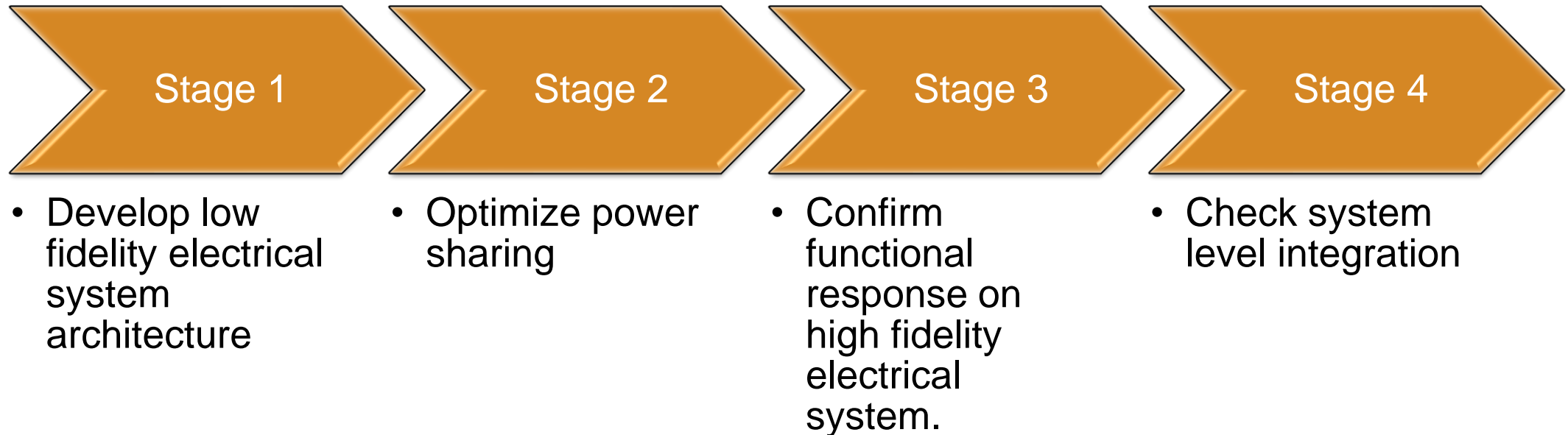
- PEM based multi-stack fuel cell vehicles can meet **heavy duty** vehicle power requirements
- Given two different stack systems, how to best decide power split control to meet wheel power demand **efficiently**?



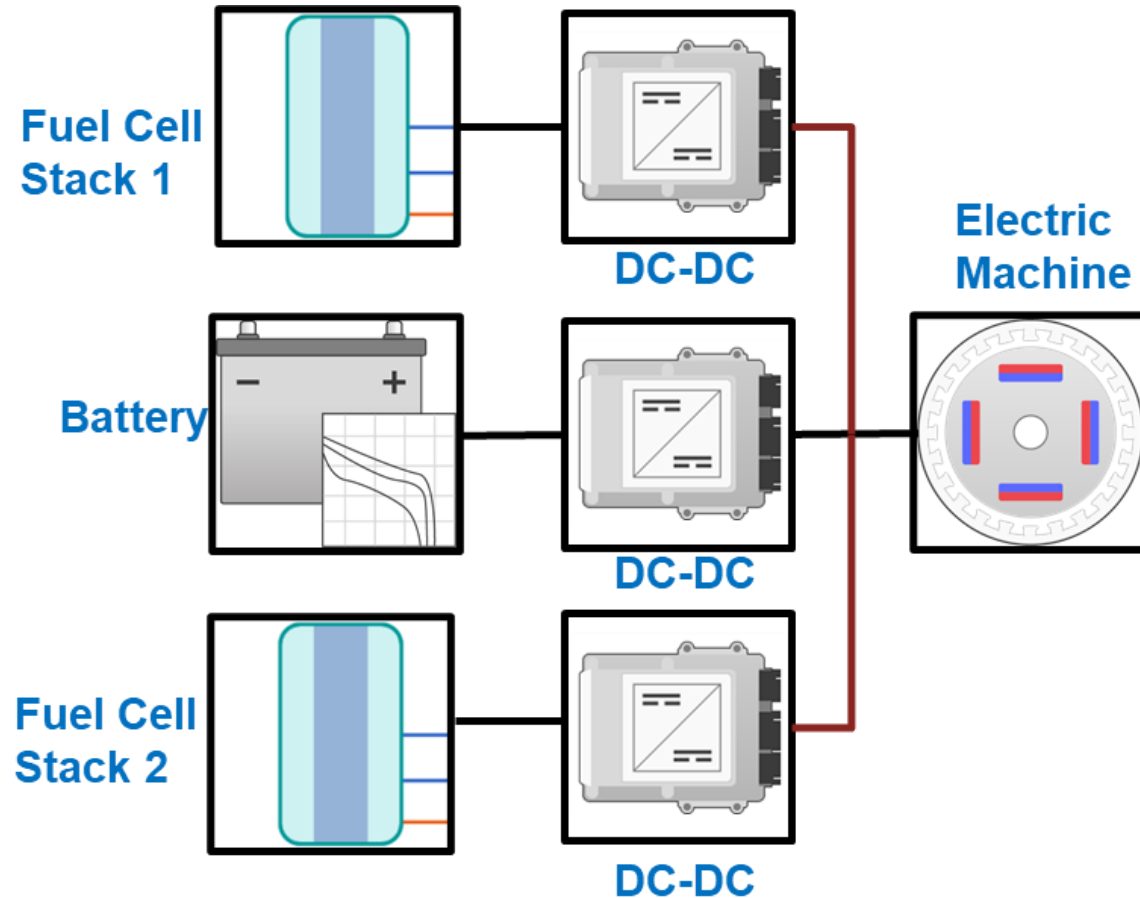
Process for Control Development

How do we solve this?

- Use a four-stage process to facilitate fast control development
- Build out fidelity and complexity incrementally focusing on specific design tasks to minimize the time taken to perform design iterations



Stage 1: Develop Electrical System Architecture



What are we doing at this stage?

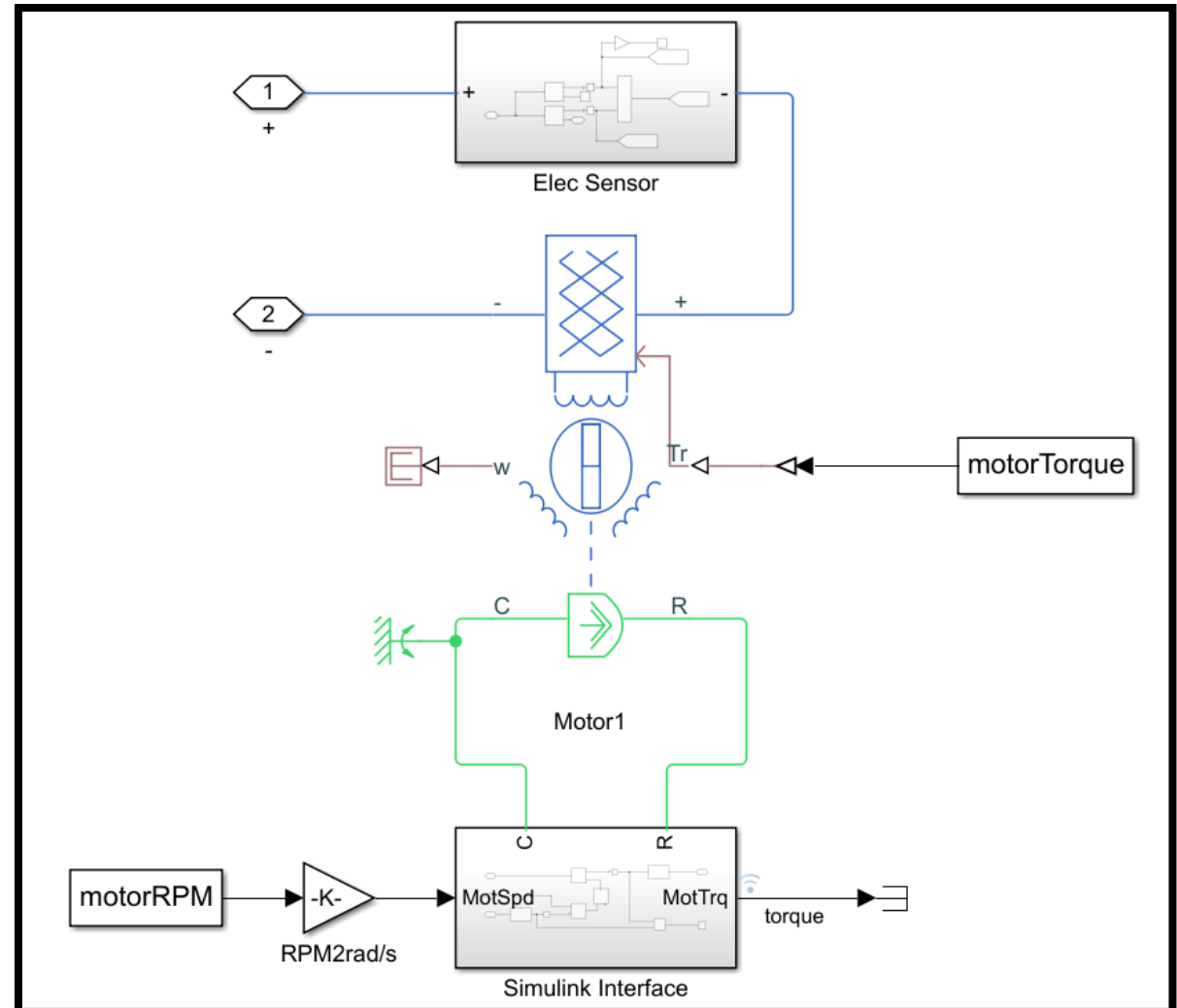
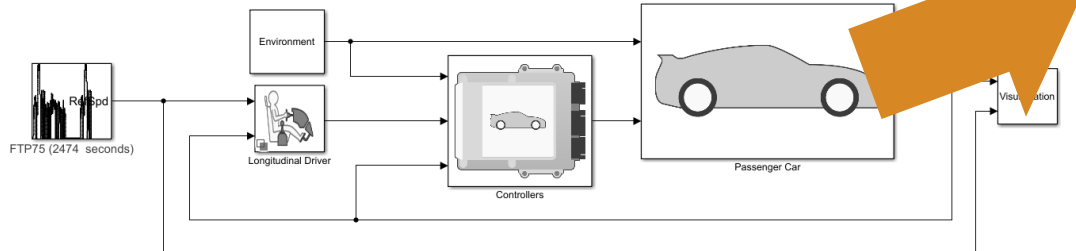
- Isolate electrical system
 - FC stacks
 - DCDC converters
 - Battery
 - Electric machine
- Use simple Thevenin equivalents for power sources
- Electrical system is modeled using Simscape components

Why do this?

- Reduces model complexity
- Allows for rapid design iterations.
- Simscape allows for design style modeling

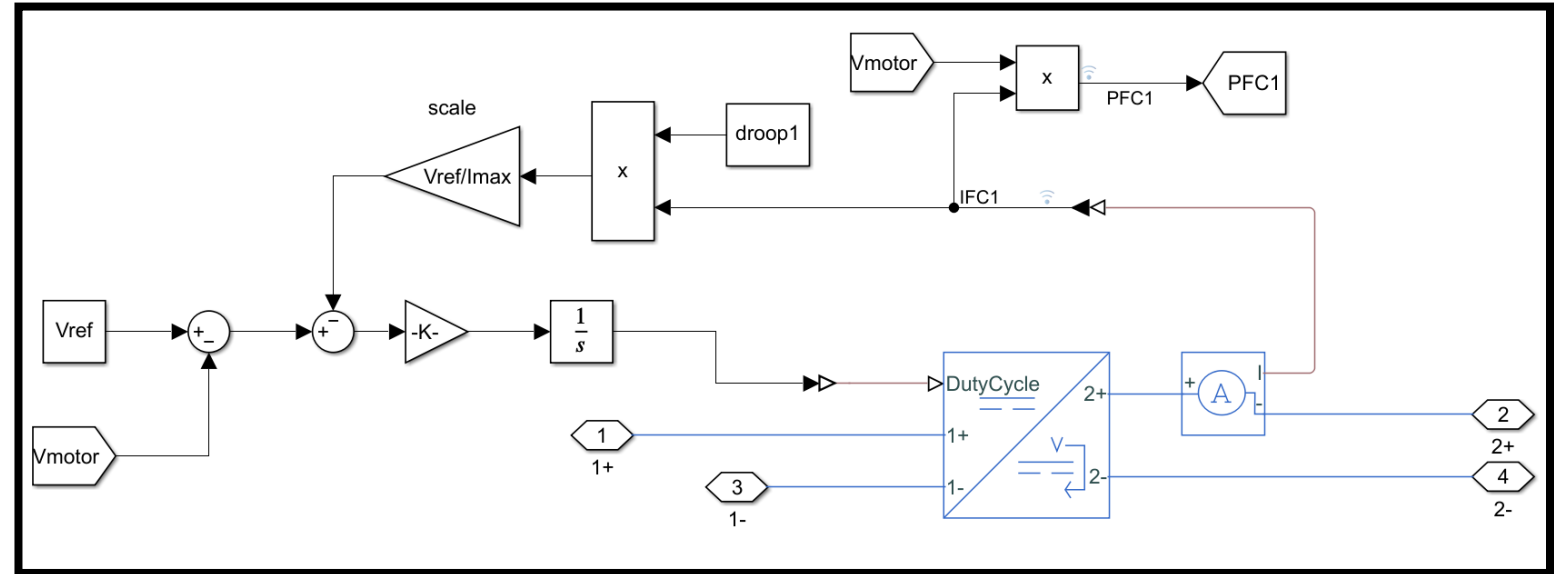
Stage 1: Develop Electrical System Architecture

- Use Powertrain Blockset Fuel Cell reference application
 - Same motor and battery specs
 - Simulated FTP75 drive cycle for system power demand and motor speeds
 - Powertrain model is combination of Simscape and Simulink-based models

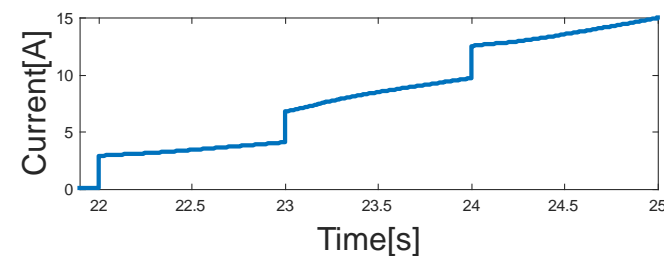
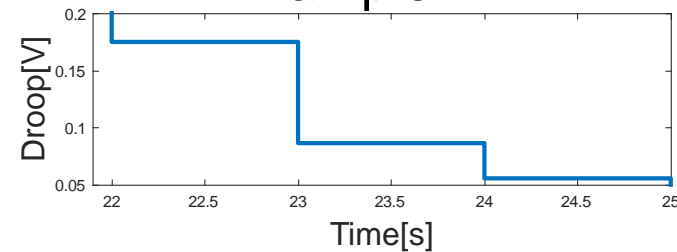


Stage 1: Develop Electrical System Architecture

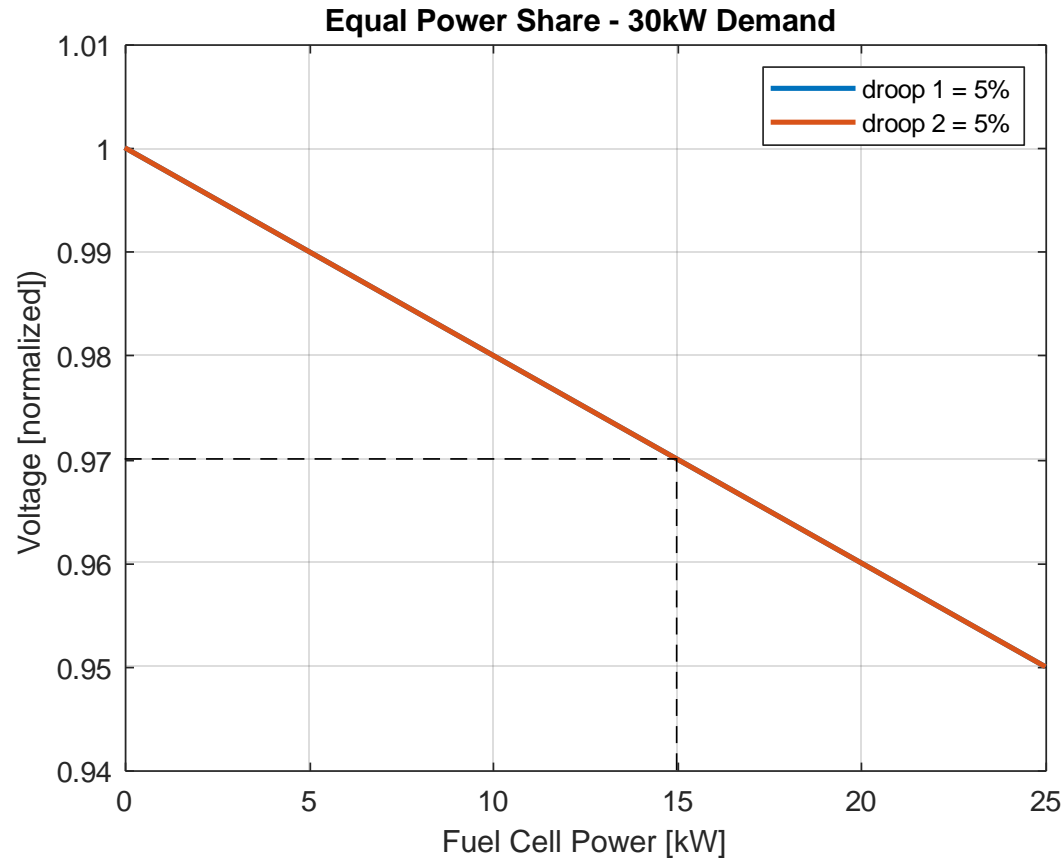
- DCDC converters adjust duty-cycle
 - Voltage droop control
- **Voltage droop** is a traditional mechanism for power sharing control on DC electrical systems



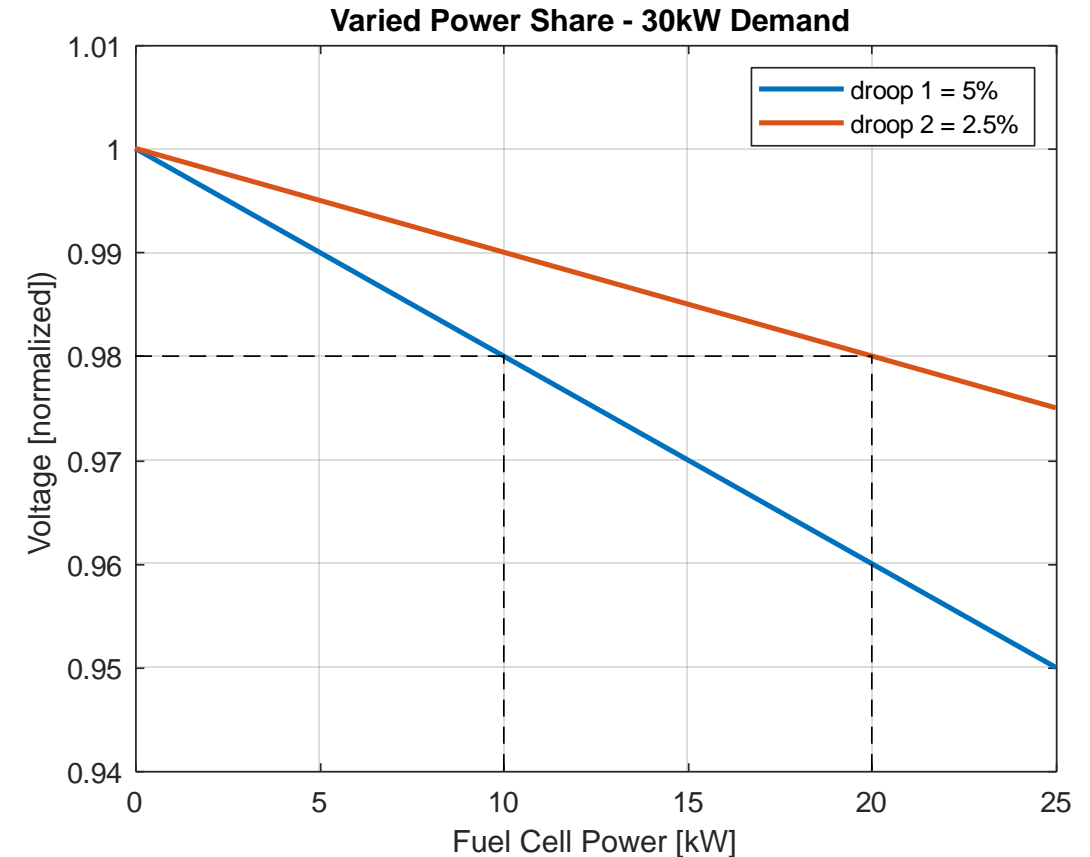
Example



Stage 1: Develop Electrical System Architecture



- Commanding equal droop leads to equal power share

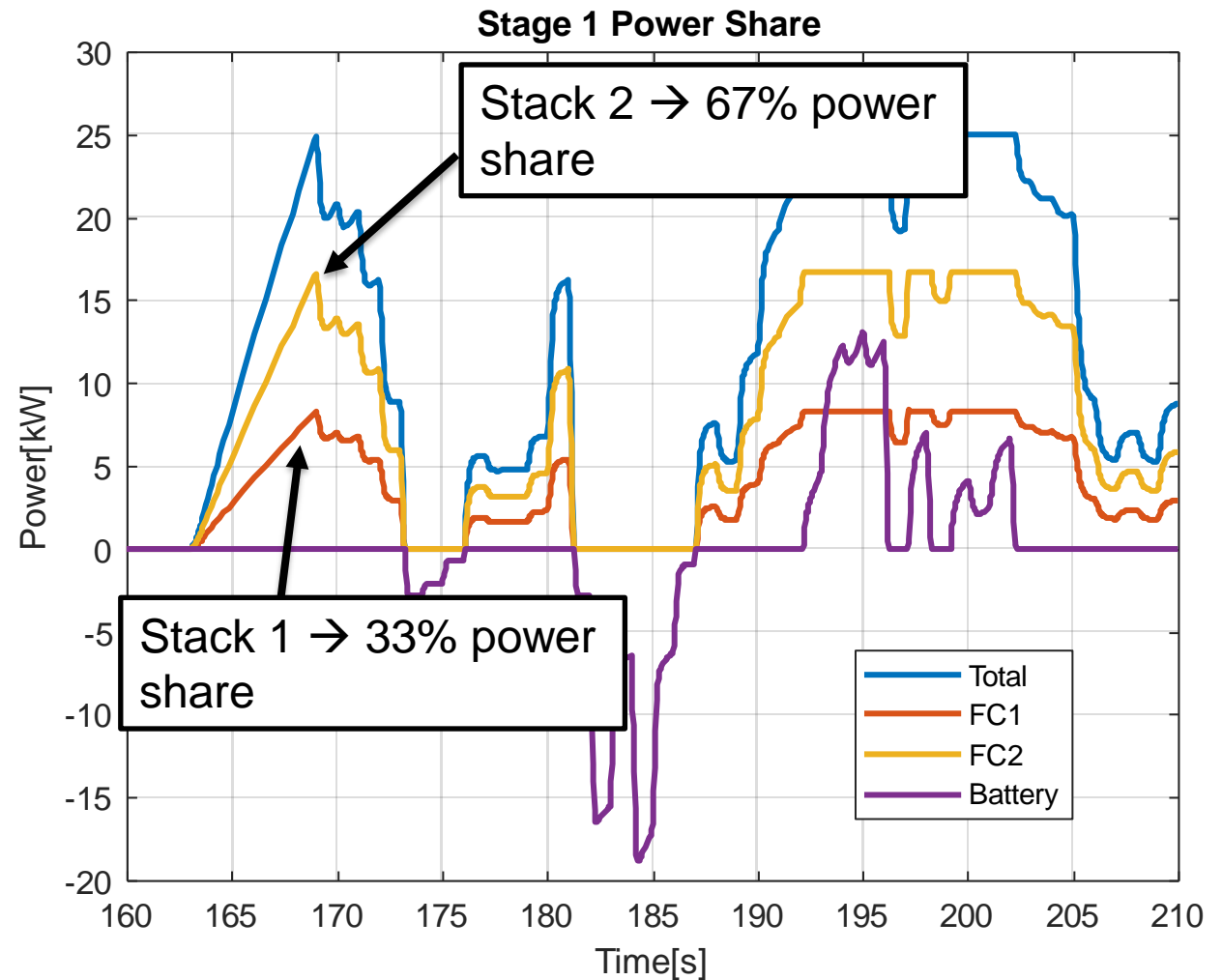


- Commanding lower droop in stack 2 leads to higher power share from stack 1

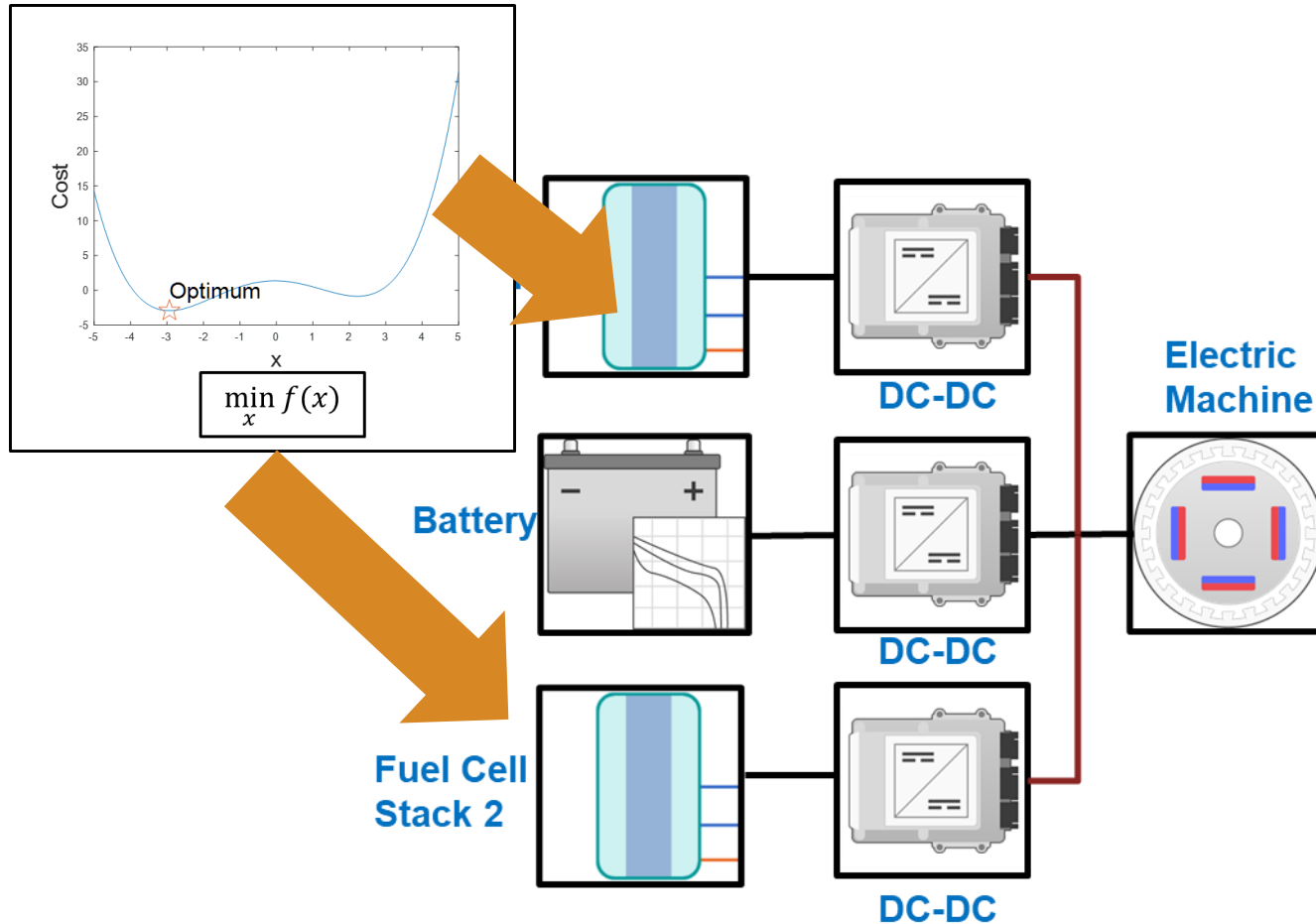
Stage 1: Develop Electrical System Architecture



- Electrical system behaves as expected.
 - The example on the right shows droop 1 at 5% and droop 2 at 2.5%
- The battery absorbs regenerated power and provides motor power beyond 25kW



Stage 2: Optimization of Power Sharing



What are we doing at this stage?

- Implement a power share algorithm that will optimize power share based on efficiency curves of each fuel cell
- Thevenin models are still used for control development

Why do this?

- Use fast running models to design optimal control algorithm
- Confirm control behaves as expected

Stage 2: Optimization of Power Sharing



- Want to minimize the total power required to meet power demand

$$\min_{P_{FC1}, P_{FC2}} \frac{P_{FC1}}{\eta_{FC1}} + \frac{P_{FC2}}{\eta_{FC2}}$$

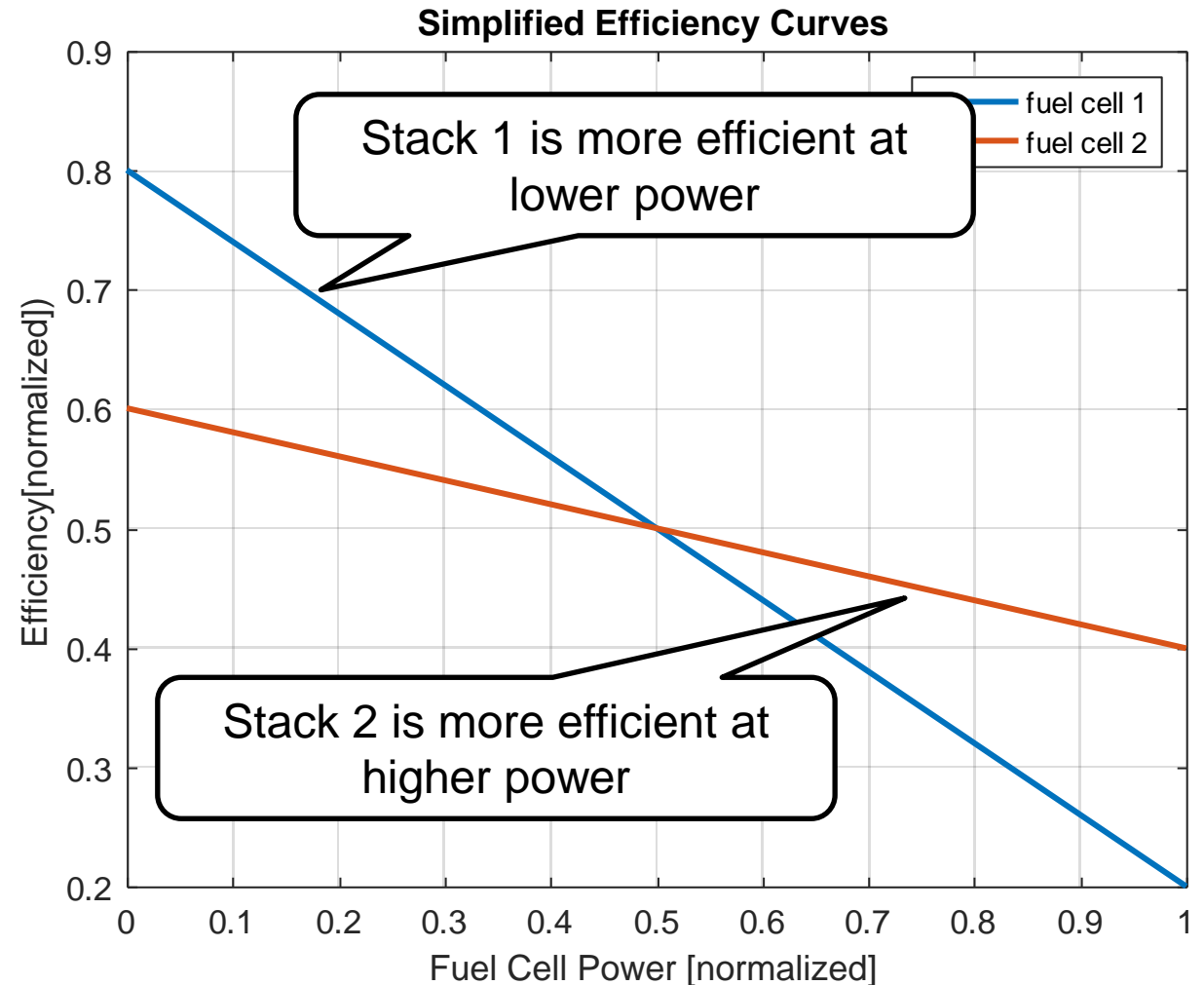
$$s.t. P_{total} = P_{FC1} + P_{FC2}$$

$P = \text{power}$

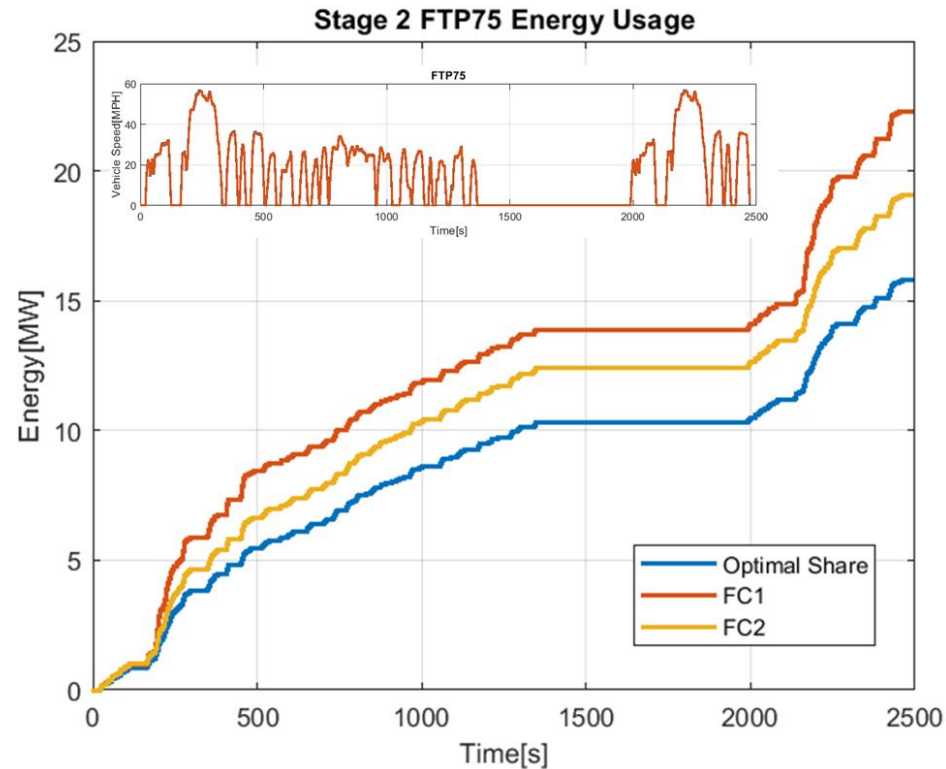
$\eta = \text{efficiency}$

$FC_i = \text{ith fuel cell}$

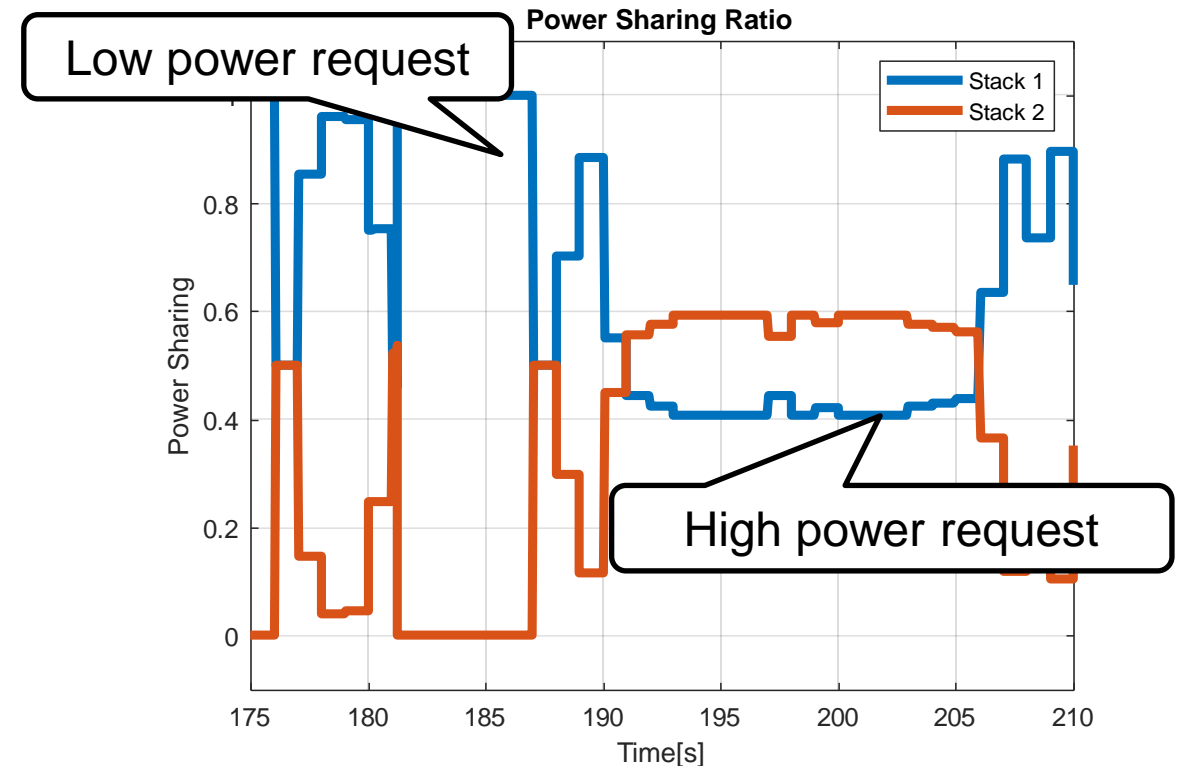
- fmincon is used to solve this problem at each time step



Stage 2: Optimization of Power Sharing



- Optimized control shows improved performance
 - 30% improved over stack 1 only
 - 17% improved over stack 2 only



- Power sharing is as expected
 - Stack 1 supplies more power at low load
 - Stack 2 supplies more power at high load

Stage 3: Confirm Functional Response

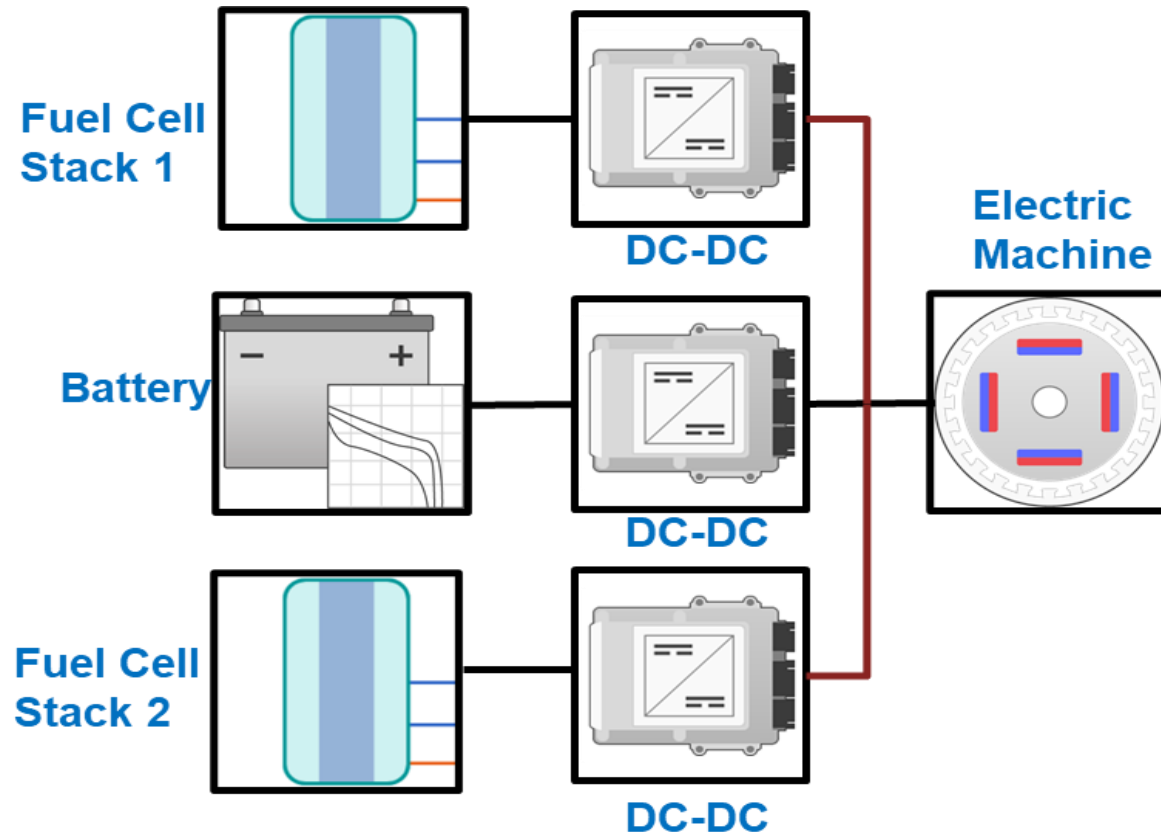


What are we doing at this stage?

- Add in more detailed physics to electrical system

Why do this?

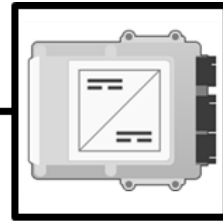
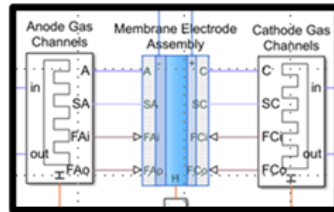
- Confirm functional response of electrical system



Stage 3: Confirm Functional Response

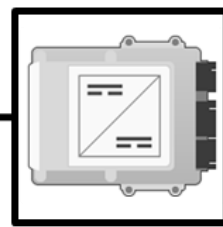
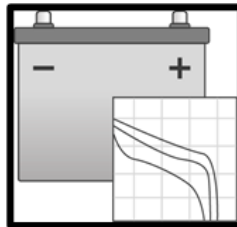


Fuel Cell Stack 1



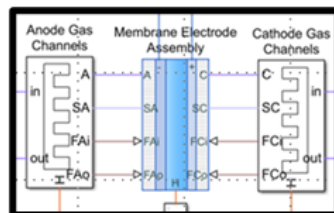
DC-DC

Battery



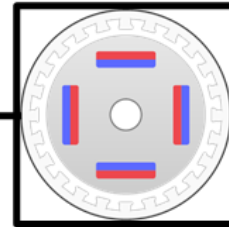
DC-DC

Fuel Cell Stack 2



DC-DC

Electric Machine

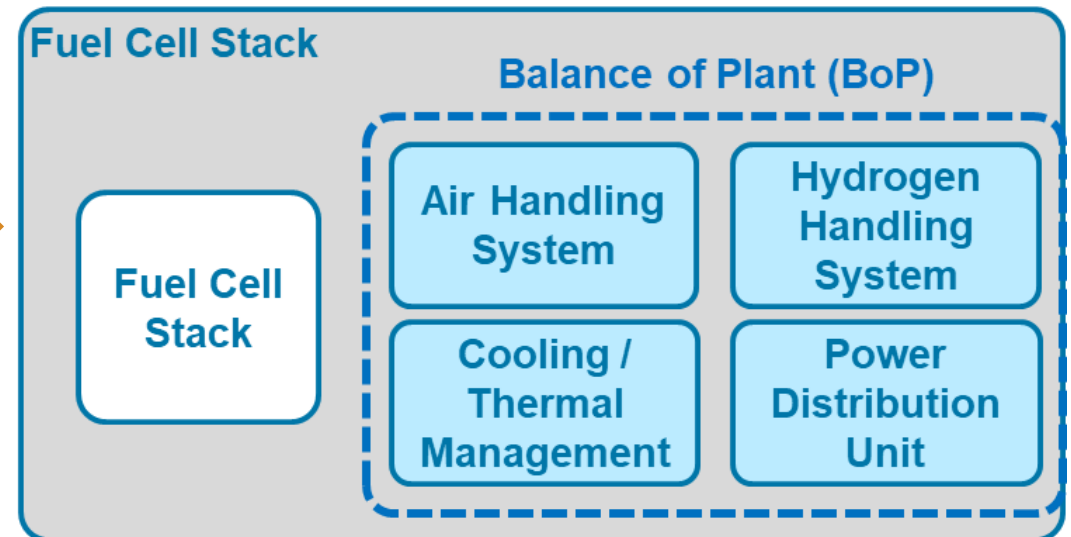


What are we doing at this stage?

- Add in more detailed physics to electrical system

Why do this?

- Confirm functional response of electrical system



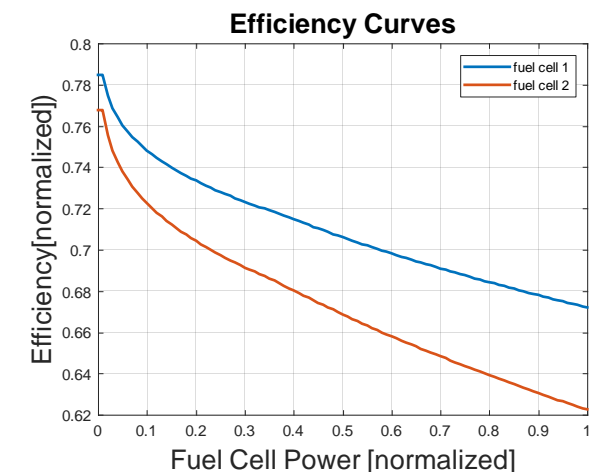
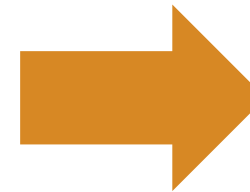
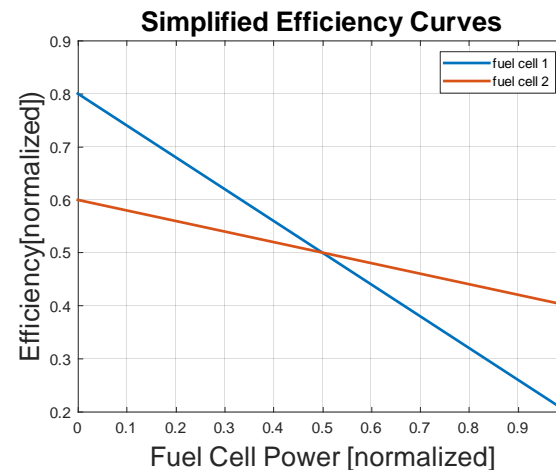
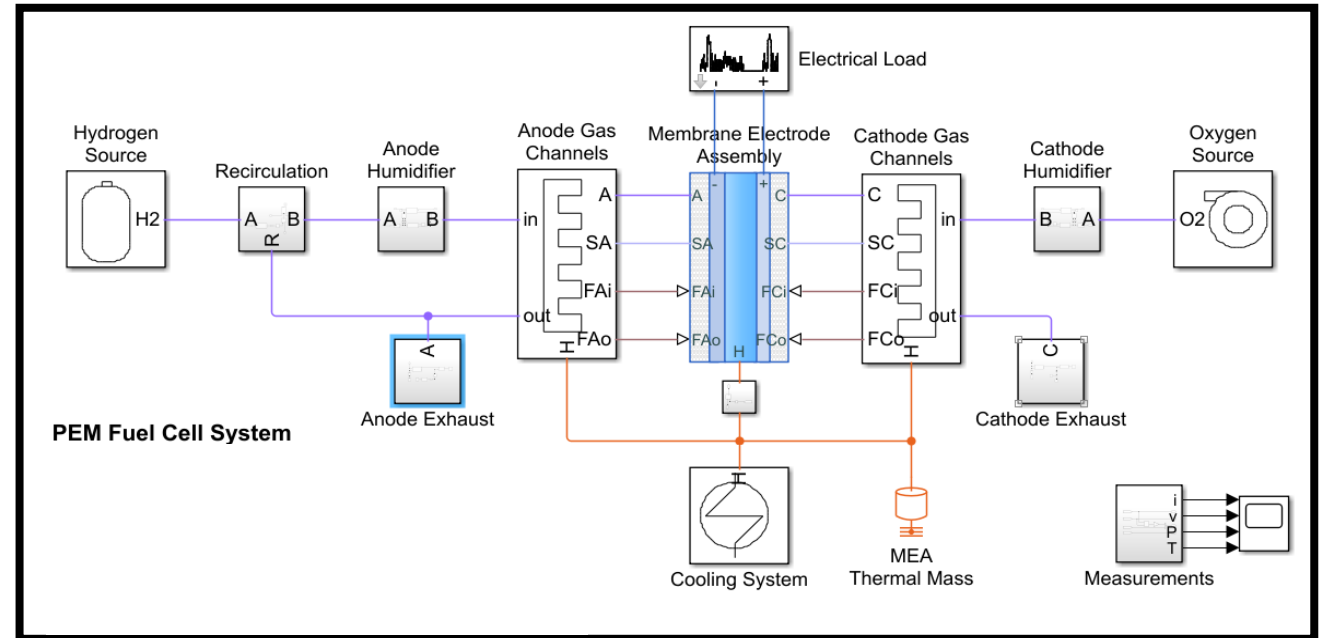
Stage 3: Confirm Functional Response

Fuel Cell Stacks

- Implemented in Simscape language
- Multiple species tracking

Balance of Plant

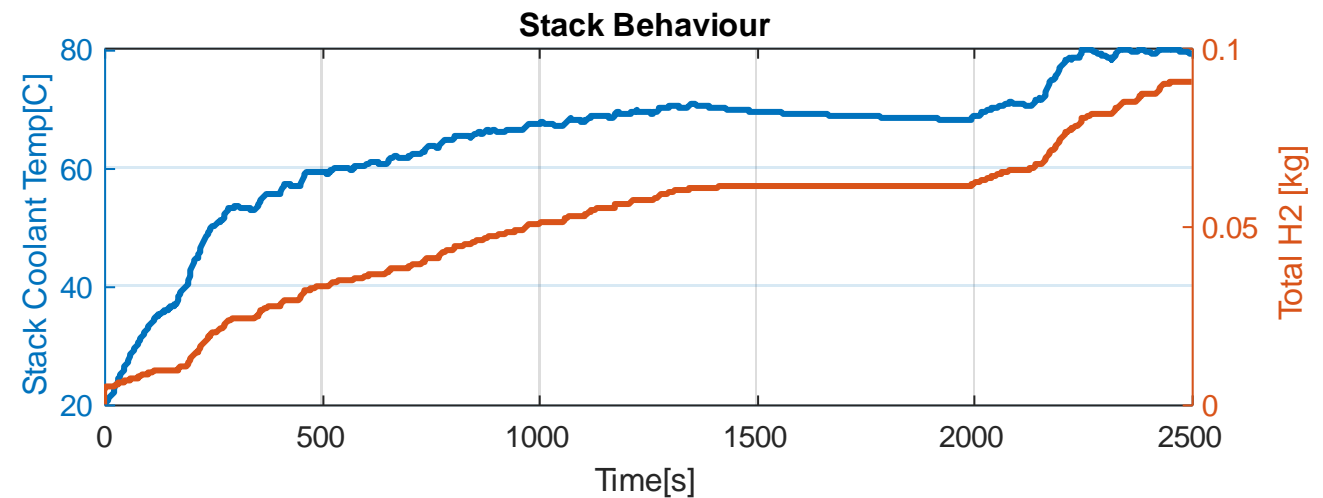
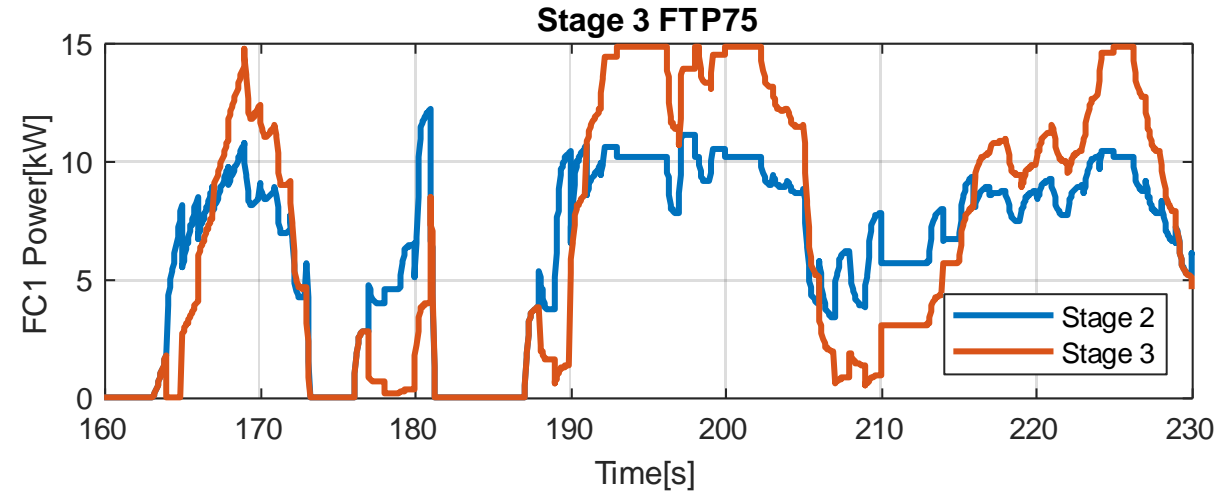
- Compressor
- Humidifier
- Cooling system
- H2 recirculation
- Water management



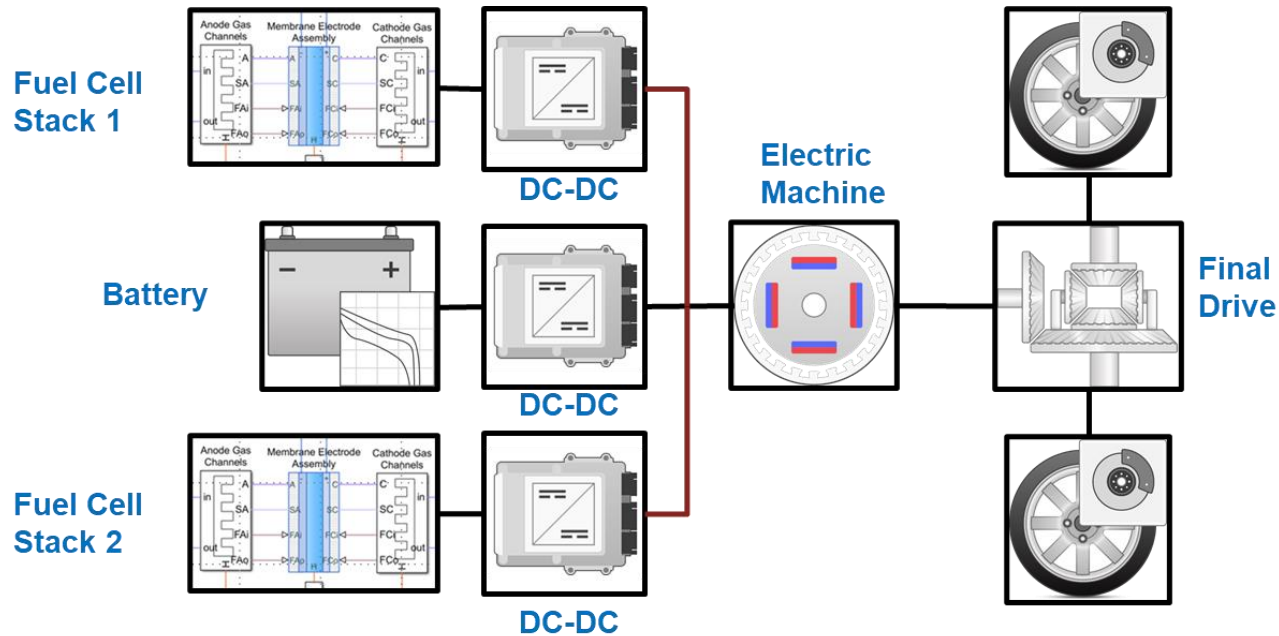
Stage 3: Confirm Functional Response



- Some difference between stage 2 and stage 3 controlled behavior
 - Expected as now we are modeling more detailed physics
- Can begin to look more detailed response
 - Stack coolant temperature
 - Total Hydrogen usage
 - Etc.



Stage 4: System Level Simulation



What are we doing at this stage?

- Implement the electrical system into a full powertrain model

Why do this?

- Confirm system level response for untested drive cycles
- Look at system level metrics such as MPGe, acceleration performance, etc
- Confirm power sharing control behavior when interfacing with other control systems

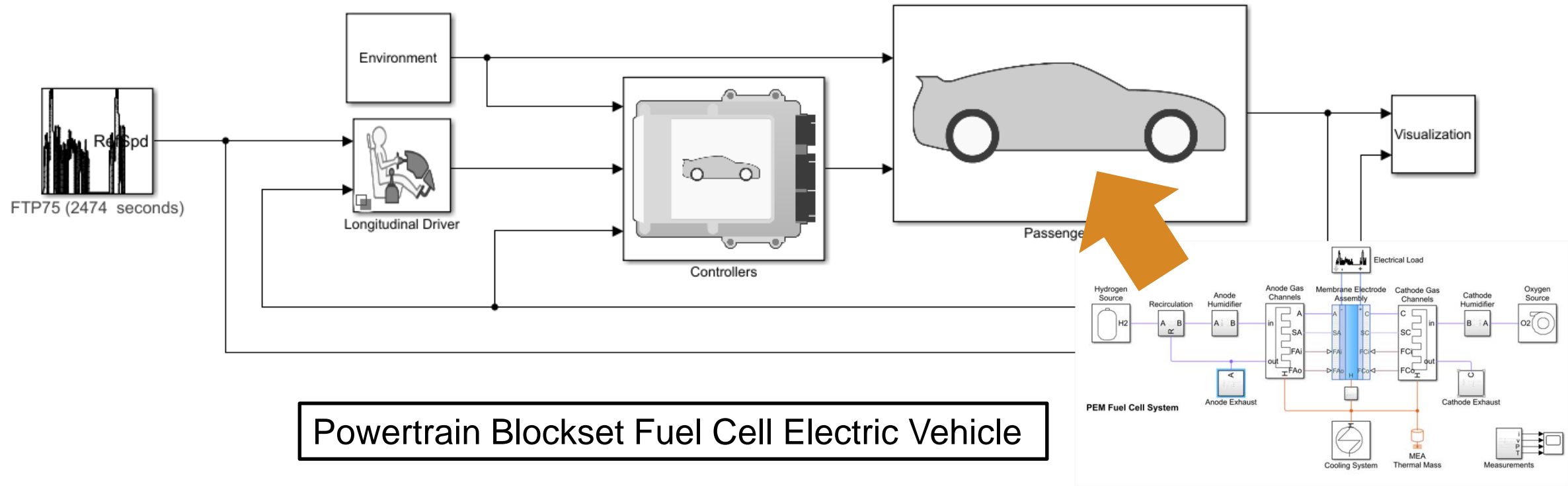
Stage 4: System Level Simulation



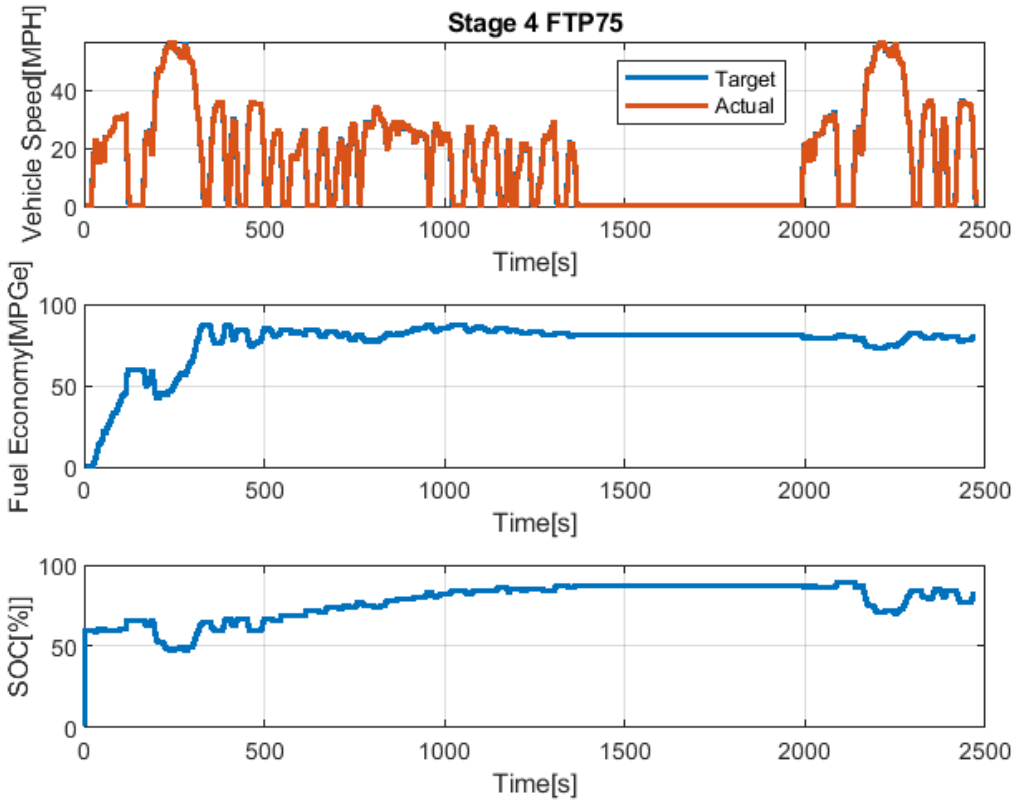
model fuel cells, electrified powertrain and virtual vehicle

integrate fuel cell in virtual vehicle models

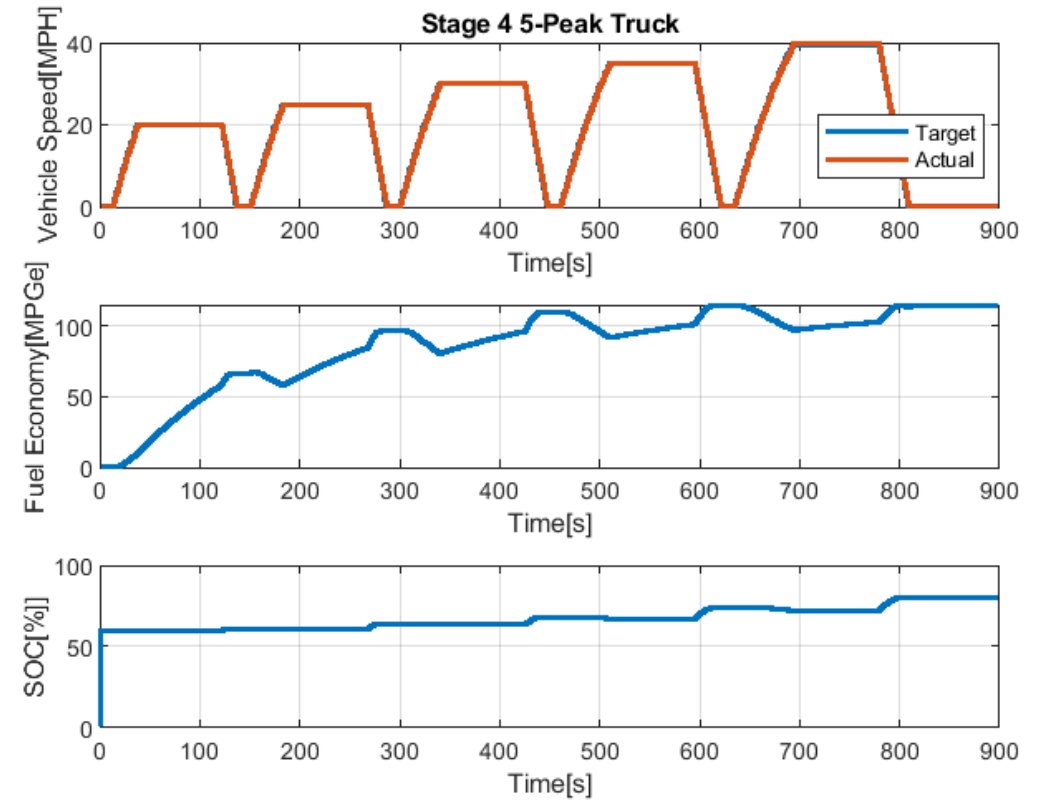
calibrate and **analyze** fuel cell virtual vehicles



Stage 4: System Level Simulation



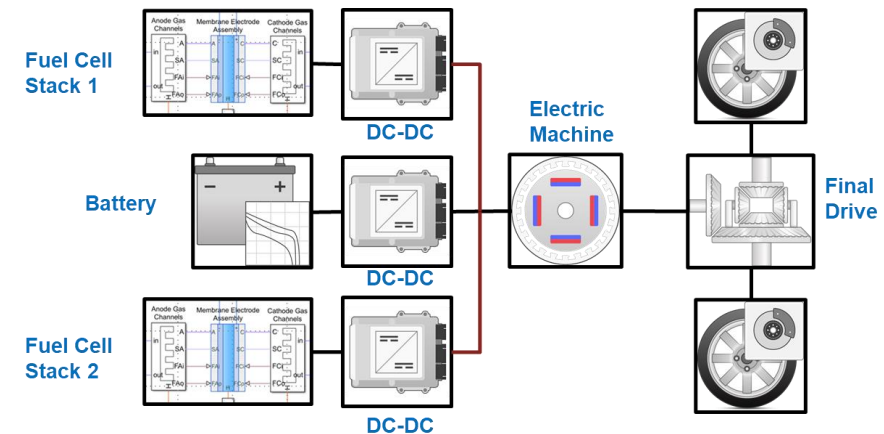
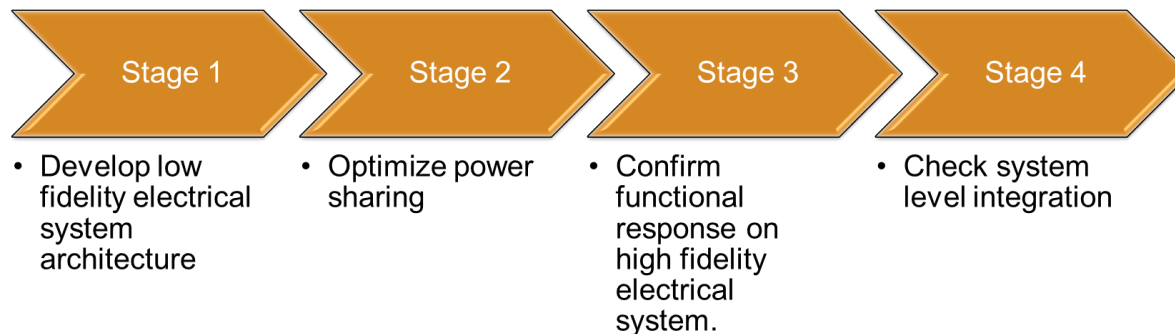
- System level simulation confirms controller performance



- Load control could use some fine tuning to balance SOC

Conclusion

- Multi-Stack fuel cell **virtual vehicle** models enabled by MathWorks tools
 - Realistic environment and testing scenarios
 - Analysis, control design and optimization of components and full vehicle simulation
- Methodology and workflows for modeling **subsystem** level fuel cell systems
 - Build out fidelity and complexity incrementally
 - Focus on specific design tasks and minimize the time taken to perform design iterations.
 - Utilize first-principles and data-driven/statistical approaches for appropriate tasks



MathWorks
**AUTOMOTIVE
CONFERENCE 2022**
North America

Thank you

